

Optirat GenII

rack & caging technical specifications

Optirat® GenII Rack

The **Optirat® GenII** exhaust vented carousel rat caging system offers a unique means of large rodent housing in the animal care industry. This system is unmatched in space efficiency and its ability to house rats in the best possible environmental conditions. The convection-assisted, low velocity, one-pass airflow through each cage provides animals with the gentle ventilation necessary to ensure maximum comfort in an ideal, low-stress living and breeding environment. With no motors or blowers, **Optirat® GenII** equipped rooms are virtually noise, vibration, and odor-free.

Optirat® GenII C87100X Rack Specifications

- Optirat® GenII rack assembly, available in polycarbonate (M suffix), amber polysulfone (P suffix), or smoke polysulfone (S suffix)
- Includes complete stainless steel rack structure with reinforced polymer carousel, column/row ID flags, cage assemblies, casters, and two autoclavable exhaust hoses
- Includes 42 rat cage assemblies complete with filters, feeders, cage cards, and water bottles
- Rack Dimensions – 39.7" (1008 mm) L x 39.0" (991 mm) W x 76.5" (1943 mm) H
- Rack Dimensions with 14 cages – 39.7" (1008 mm) L x 33.7" (856 mm) W x 76.5" (1943 mm) H (4 columns of cages removed for door clearance)
- Two 3" (75 mm) diameter exhaust hoses mount near top center of rack with quick-disconnect fittings
- 550 lbs (250 kg) complete and ready for installation
- Rack assembly is mounted on stainless steel casters with 4"-diameter, high-temperature, ball-bearing-equipped wheels - two casters are provided with brakes and locks
- Air flow requirements – 82 CFM recommended, 55 CFM minimum per rack
- Static pressure guidelines – 0.12-0.16 in W.G. (30-40 Pa) at rack; 0.18-0.24 in W.G. (45-60 Pa) at exhaust drop
- Full-height handles at each corner
- Flat-media high-flow Reemay filter assemblies

Cage Specific Information

Outside Dims: 14.3" (363.22 mm) L x 19.1" (485 mm) W x 8.9" (226.06 mm) H, including feet

Inside Dims: 12.8" (325 mm) L x 18.5" (470 mm) W, front x 6.5" (165 mm) W, rear x 8.1" (205 mm)

Floor Area: 135 square inches (870.9 sq cm)

Capacity: 1 rat 500 g or heavier, 2 rats 400-500 g, 3 rats 300-400 g, 4 rats 200-300 g, 5 rats 100-200 g

Cage Material: Makrolon® polycarbonate or Udel® polysulfone (amber or smoke color)

Feeder: Polished stainless steel, 37 oz (1.1 liter) capacity

Water Bottle: Two per cage, 400 ml each (13.5 oz)

Except where noted, rack and cage specifications above are also valid for C87200M/P/S, C8702M/P/S, and C87205M/P/S.

This Optirat® GenII carousel, closed-system, barrier isolation caging system provides maximum flexibility while increasing population density and improving the welfare of both animals and caretakers.

Optirat[®] GenII

technical drawings

Applicable to the following racks:

C87200M/P/S, C87202M/P/S, and C87205M/P/S

Weight - 534 lbs (242 kg) with cages

Weight w/Autewater - 524 lbs (238 kg)

Autewater Connection - Type M stainless steel QD

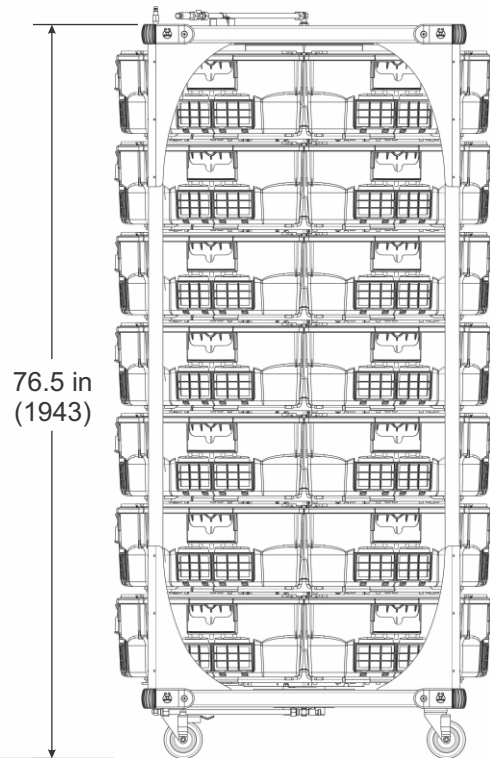
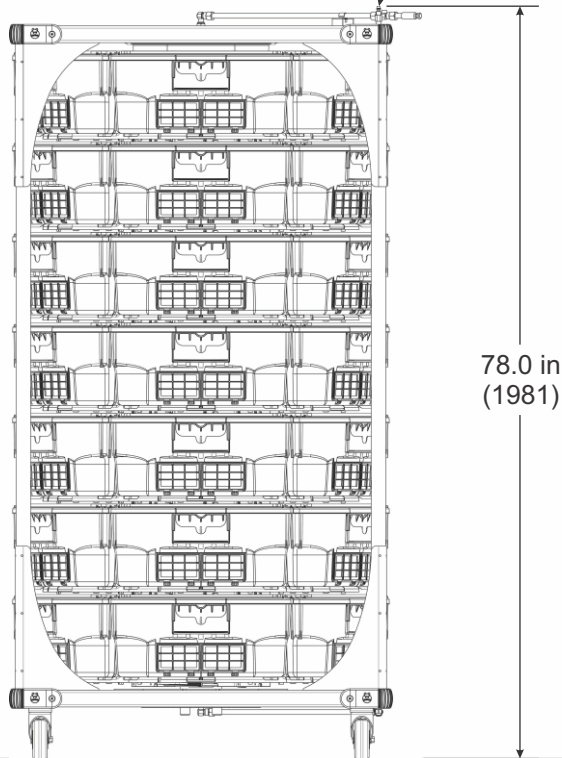
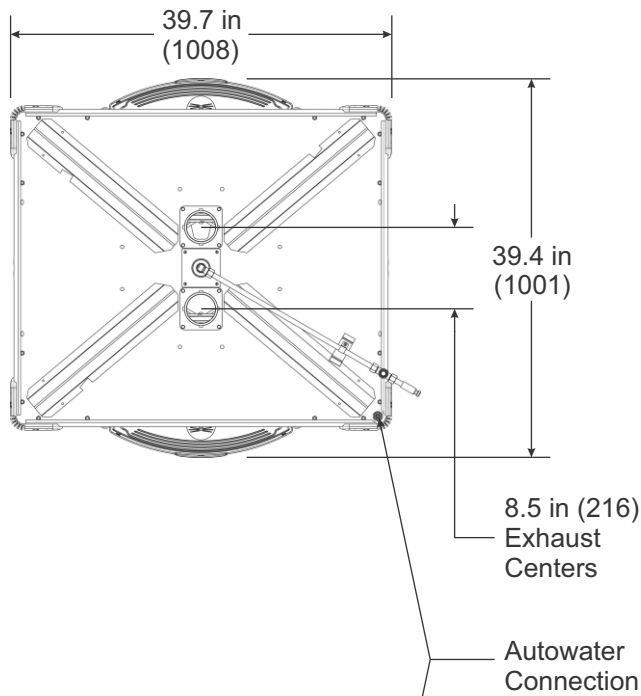
Minimum Ventilation - 55 CFM (1558 L/min)

Recommended Ventilation - 82 CFM (2322 L/min)

Minimum Exhaust Drop - 4-inch (100 mm) diameter ducting

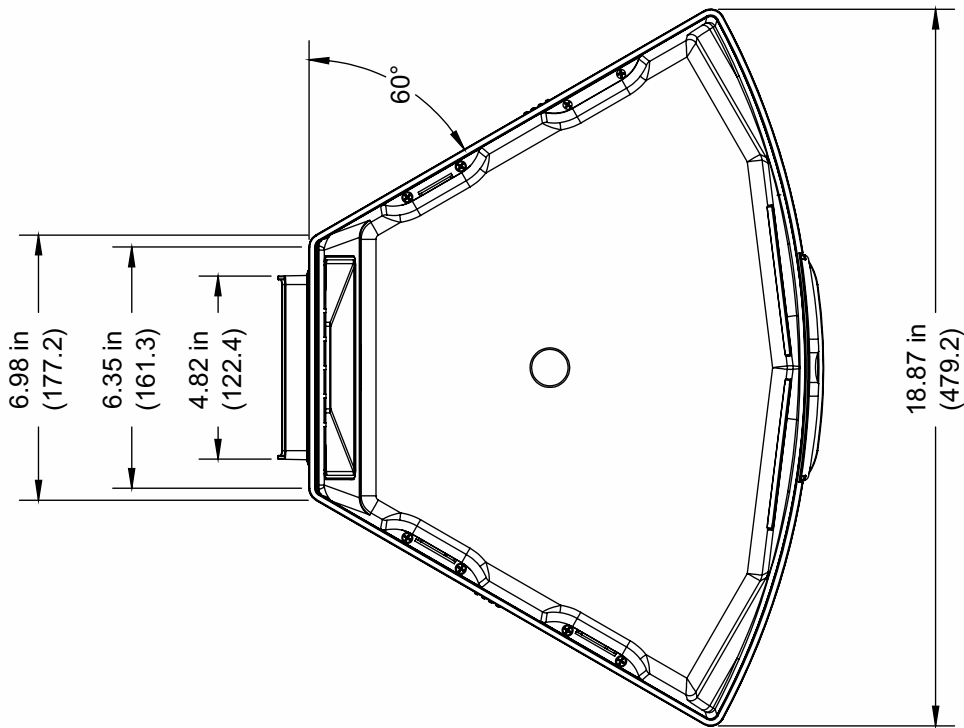
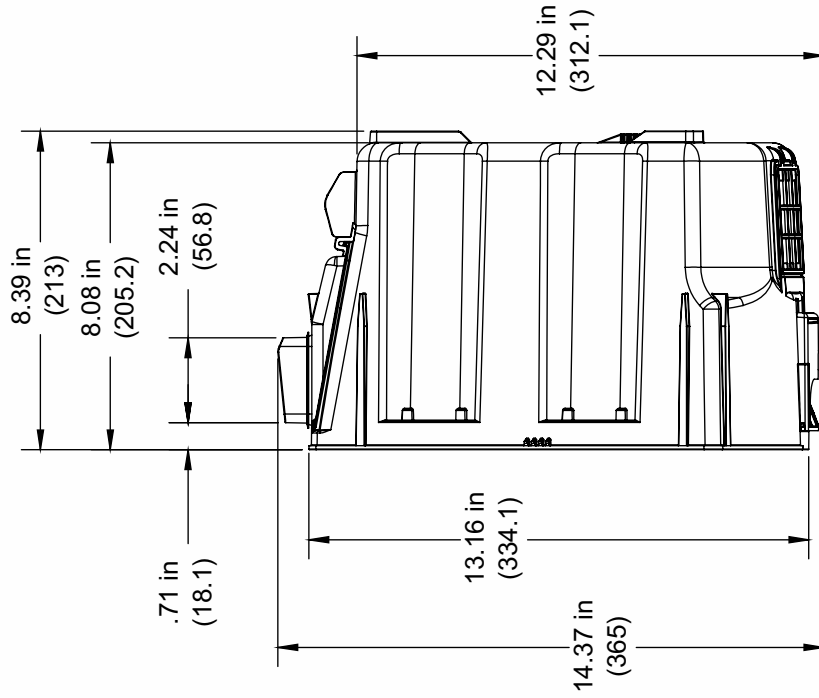
Exhaust Hoses - 3-inch (75 mm) diameter flexible x 72"
(1830 mm) long

Dimensions in inches (millimeters)



Optirat[®] GenII

technical drawings



Optirat[®] GenII

technical drawings

