



Animal Care | *Systems*

Ergomice®

The Ergomice series uses Optimice mouse cages and the Opti exhaust technology. This ergonomic IVC mouse system retains all the benefits of Optimice: the high cage density, the unmatched space efficiency, and the ability to house rodents in the best possible environmental conditions. The low-velocity, one-pass airflow through each cage provides animals with the gentle ventilation necessary to ensure maximum comfort in an ideal, low-stress living and breeding environment. With no motors or blowers, Animal Care Systems rodent rooms are free of noises, vibrations, and odors.

The Ergomice series offers flexible solutions using three configuration

Rack Specifications

- Includes complete stainless steel rack structure with reinforced polymer carousel, column/row ID flags, cage assemblies, casters, handles, and two exhaust hoses
- Includes 50, 70, or 80 mouse cage assemblies complete with filters, feeders, cage cards, and water bottles
- Two 3-inch (75 mm) diameter exhaust hoses mount on top of the rack with quick-disconnect fittings
- Rack assembly is mounted on stainless steel swivel casters with 4-inch (102 mm) diameter high-temperature ball bearing wheels; two casters come with locks
- Auto-water available with Ergomice80

Cage Specifications

Cage material: Polycarbonate or polysulfone
Floor area: 75 squares inches (484 square centimeters)
Capacity: Five 25-gram mice
Feeder: Polished stainless steel, 502 mL (17 oz) capacity
Water bottle: One 400 mL (13.5 oz)
Filters: Two flat-media Reemay assemblies

All Animal Care Systems products and accessories are listed and described at animalcaresystems.com.



Ergomice®

Airflow Requirements

Rack Type	Functional Exhaust Airflow Range, CFM (L/hour)	Air Changes Per Hour (ACH)	Anemometer Measurement Range, Per Hose, m/s	
			Two Hoses	One Hose
Ergomice-80	38 - 50 (1076 - 1415)	20 - 30	3.4 - 4.5	6.8 - 9.0
Ergomice-70	34 - 45 (962 - 1274)	20 - 30	3.0 - 3.9	6.0 - 7.8
Ergomice-50	25 - 33 (708 - 934)	20 - 30	2.2 - 2.9*	4.3 - 5.7

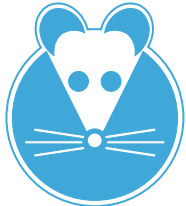
*A single hose is standard for Ergomice 50

Static pressure guidelines (with all cages docked):

At the rack - 0.12-0.16 in. H₂O (30-40 Pa)

At the exhaust drop - 0.18-0.24 in. H₂O (45-60 Pa)

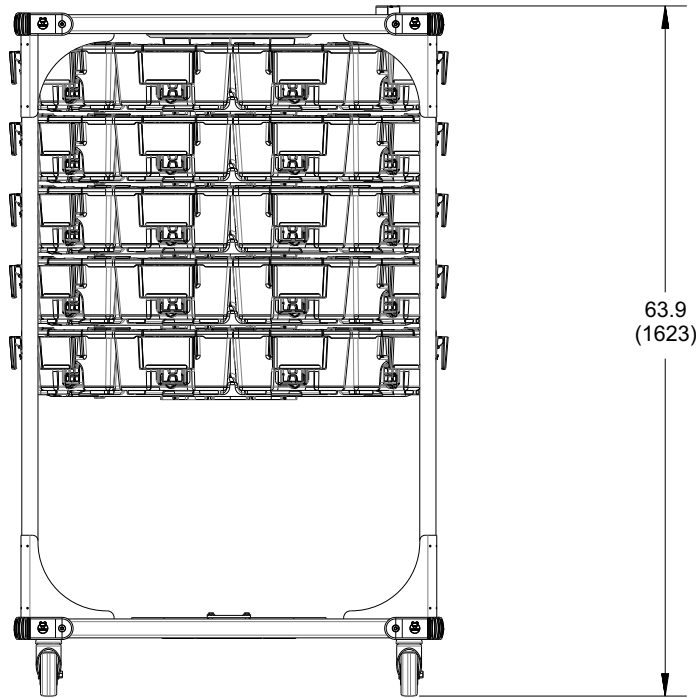
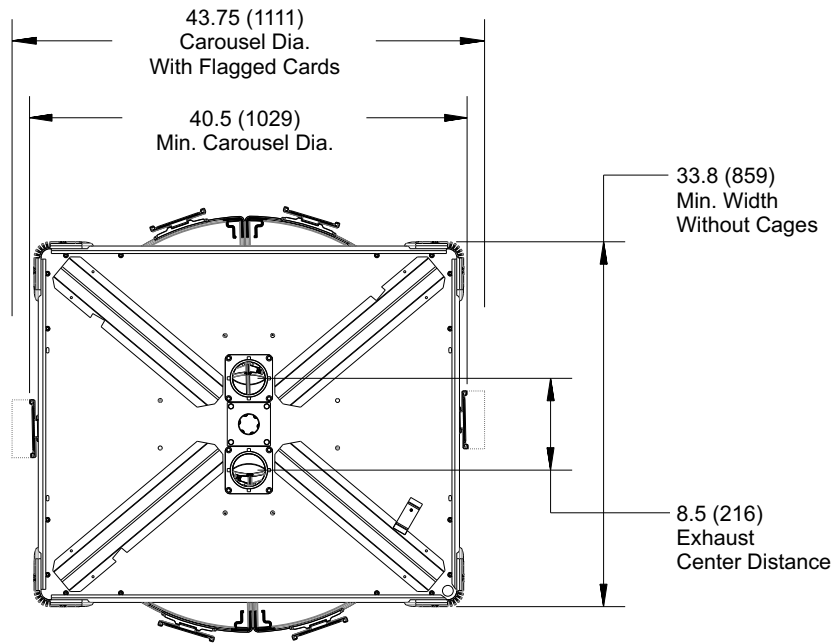
Rack Dimensions and Weights

	Ergomice® Rack							
	Dimensions <i>Inches (mm)</i>					Weight* <i>Pounds (kg)</i>		
	Depth	Width	Height			Ergo50	Ergo70	Ergo80
			Ergo50	Ergo70	Ergo80			
Full rack with card holders	40.5 (1029)	40.5 (1029)	63.9 (1623)	77.1 (1958)	63.9 (1623)	388 (176)	463 (210)	479 (217)
Empty rack	33.7 (856)	39.7 (1001)						

*With cages

All Animal Care Systems products and accessories are listed and described at animalcaresystems.com.

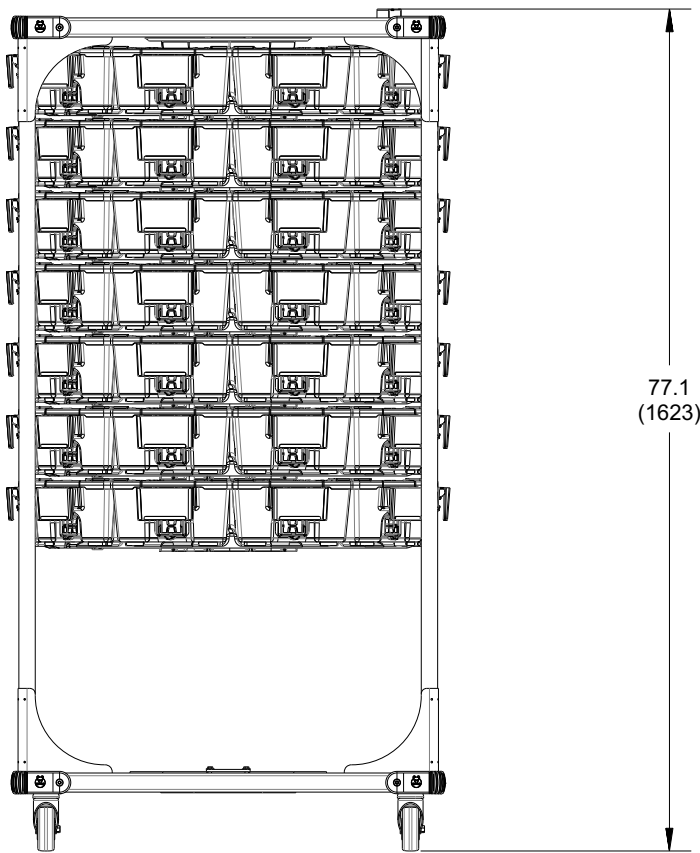
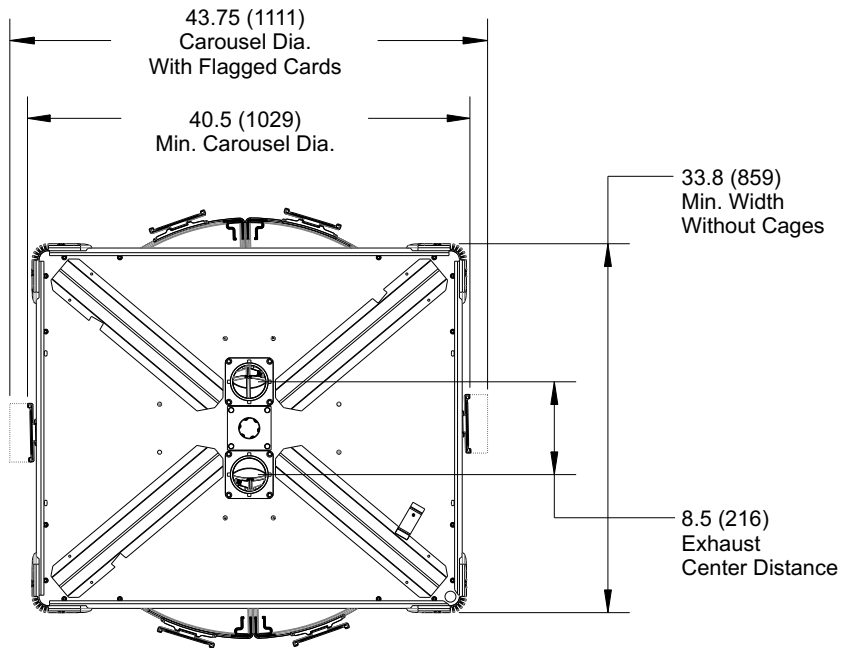
Rack Drawings - Ergomice50



Dimensions in inches (millimeters)

All Animal Care Systems products and accessories are listed and described at animalcaresystems.com.

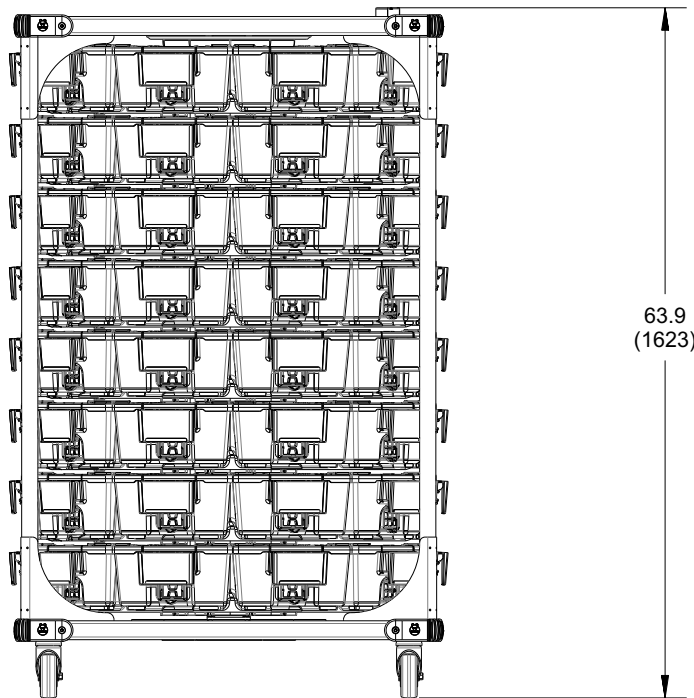
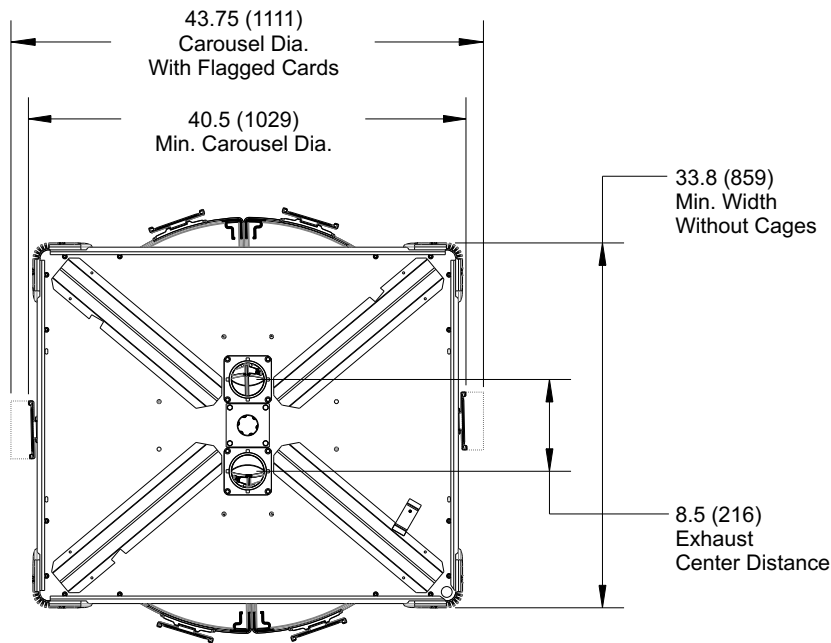
Rack Drawings - Ergomice70



Dimensions in inches (millimeters)

All Animal Care Systems products and accessories are listed and described at animalcaresystems.com.

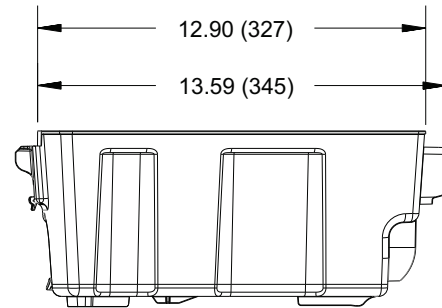
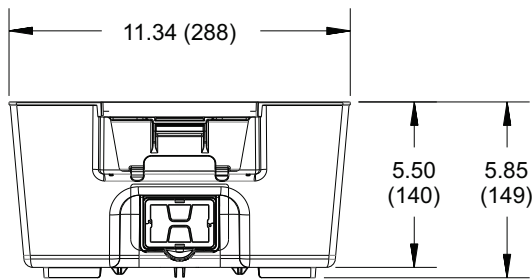
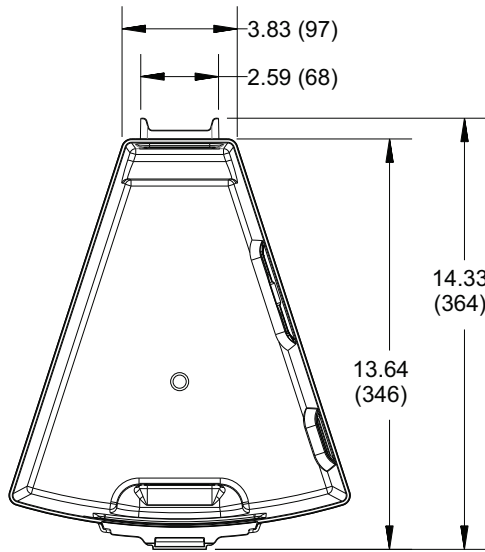
Rack Drawings - Ergomice80



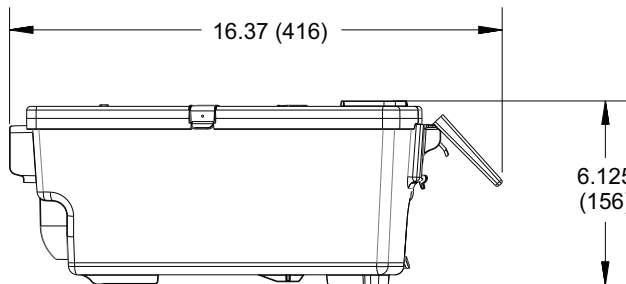
Dimensions in inches (millimeters)

All Animal Care Systems products and accessories are listed and described at animalcaresystems.com.

Cage Base Drawings

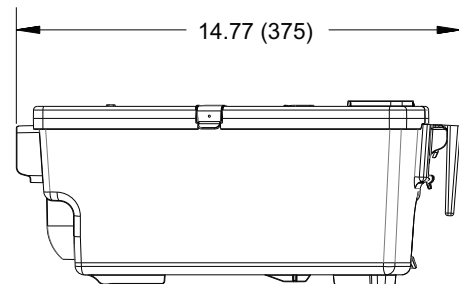


Cage Base Only



Card Flagged

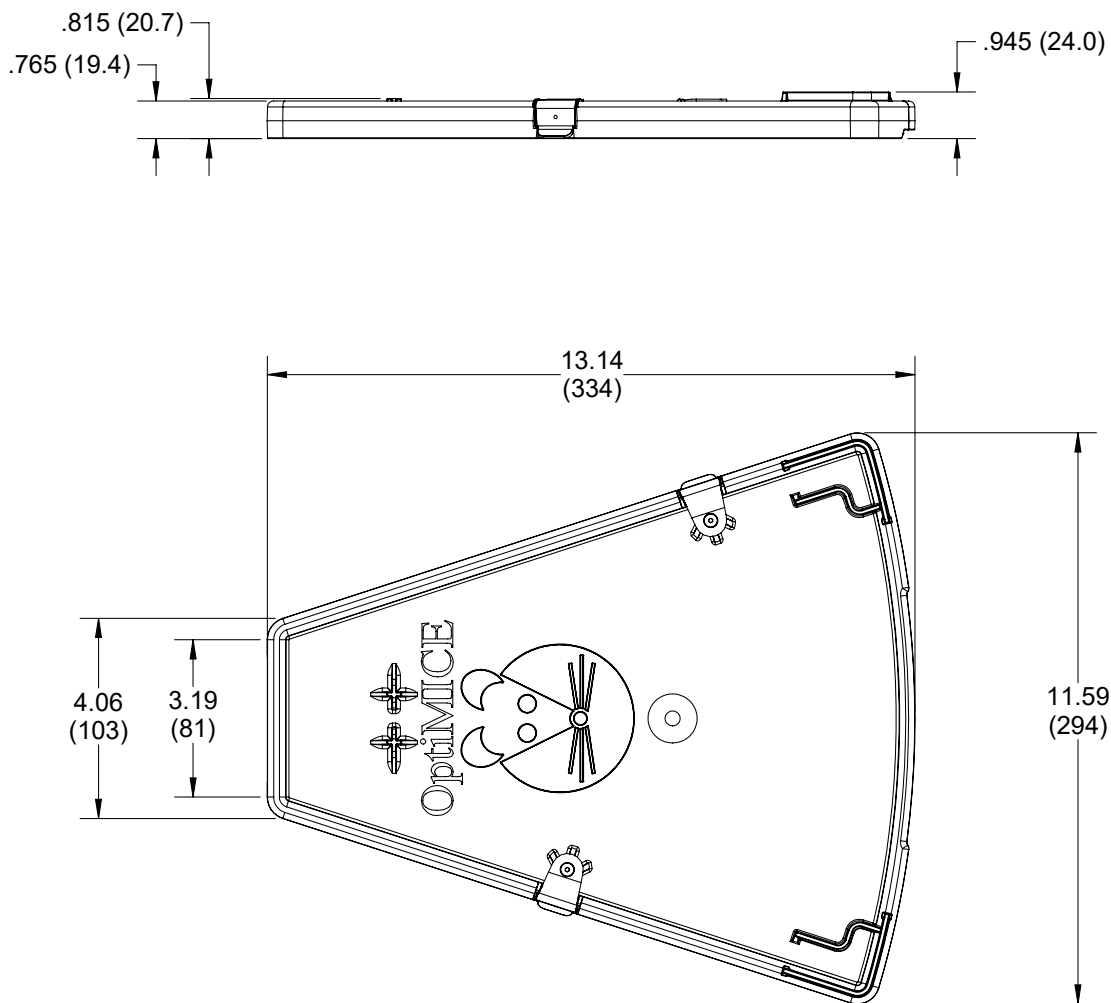
Complete Cage Assembly



Card Unflagged

Dimensions in inches (millimeters)

Cage Top Drawings



Dimensions in inches (millimeters)

All Animal Care Systems products and accessories are listed and described at animalcaresystems.com.